

**PARKING KEY**

G/F KIMBER HOUSE	=====
STRATTON COURT	=====
F/F KIMBER HOUSE	=====

Notes

REV.	DATE	DESCRIPTION
Client	<b>HIGHCROSS</b>	
HDFUK(Mor three 13) c/o HIGHCROSS STRATEGIC ADVISORS LTD		

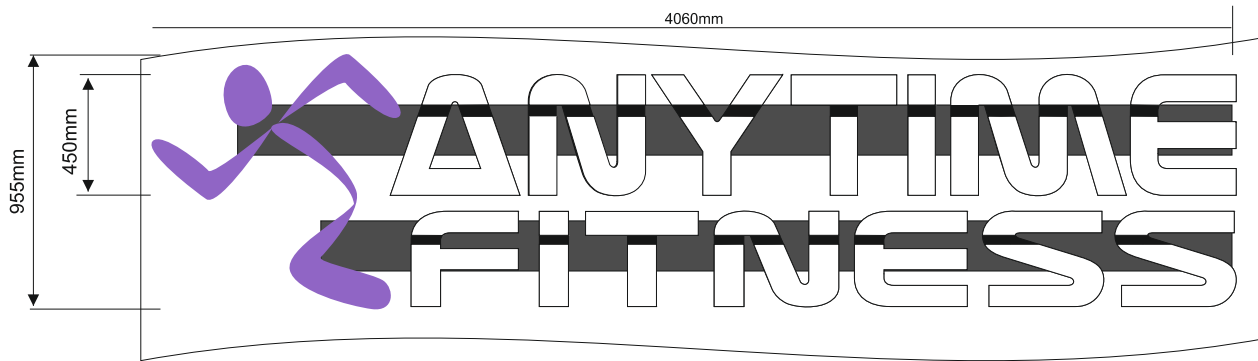
Project  
**KIMBER HOUSE**  
 KIMBER ROAD  
 ABINGDON

Title  
**CAR PARK PLAN**



Date	MAY 2007	Drawn by	KP
Scale	NTS	Checked by	SJH
Drawing No.	OX0185CA/carpark		Rev.
			A

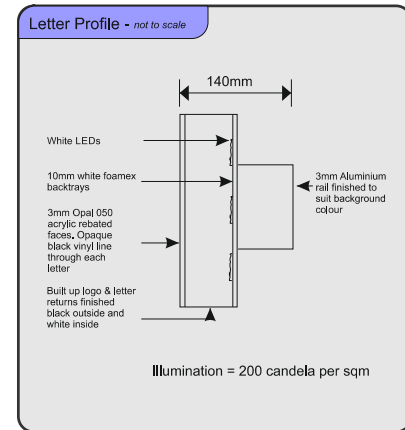
# A: Fascia main elevations



**Size: 4060mm**  
**Scale: 1:20**

Built up aluminium letters & logo with 80mm returns finished black. Letters having rebated faces from 3mm opal acrylic with overlay of black vinyl line (3M 220 - 12). Logo face decorated with translucent purple vinyl (3M 230-128). Letters and Logo face illuminate via white LEDs and fitted to an aluminium rail (RAL 7012)

**Letter height: 450 mm**  
**Running man height: 955 mm**  
**Height from ground to underside of sign: 3425mm**



Proposed

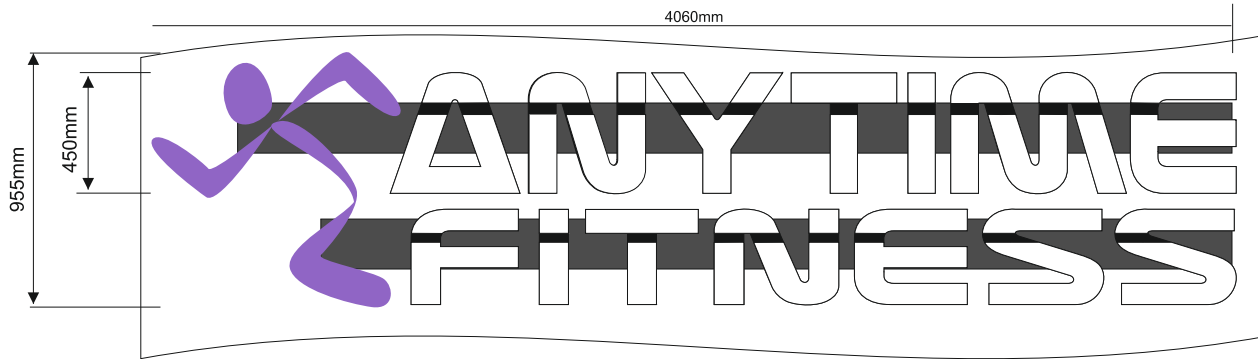


Existing



scale  
1:100

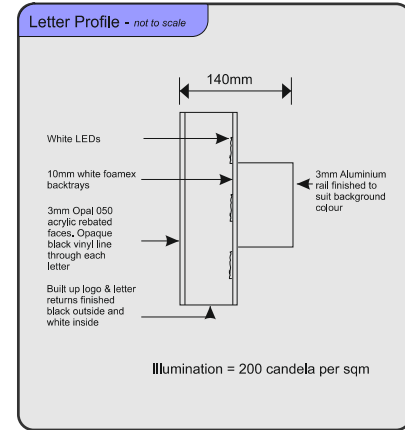
# B: Fascia main elevations



**Size: 4060mm**  
**Scale: 1:20**

Built up aluminium letters & logo with 80mm returns finished black. Letters having rebated faces from 3mm opal acrylic with overlay of black vinyl line (3M 220 - 12). Logo face decorated with translucent purple vinyl (3M 230-128). Letters and Logo face illuminate via white LEDs and fitted to an aluminium rail (RAL 7012)

**Letter height: 450 mm**  
**Running man height: 955 mm**  
**Height from ground to underside of sign: 3425mm**



Proposed

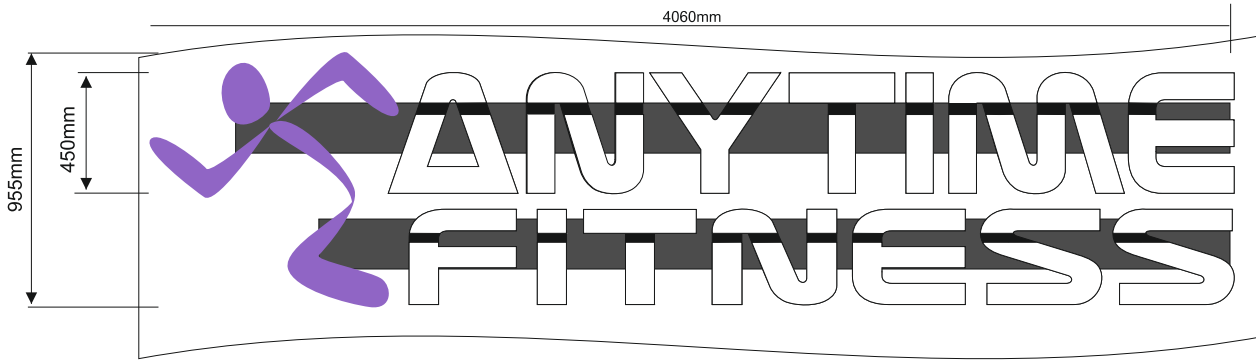


Existing



scale  
1:100

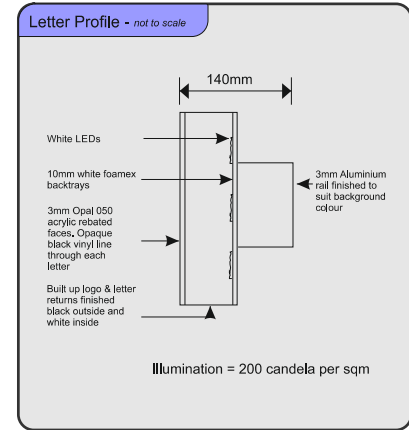
# C: Fascia main elevations



Size: 4060mm  
Scale: 1:20

Built up aluminium letters & logo with 80mm returns finished black. Letters having rebated faces from 3mm opal acrylic with overlay of black vinyl line (3M 220 - 12). Logo face decorated with translucent purple vinyl (3M 230-128). Letters and Logo face illuminate via white LEDs and fitted to an aluminium rail (RAL 7012)

Letter height: 450 mm  
Running man height: 955 mm  
Height from ground to underside of sign: 3425mm



Proposed



Existing



scale  
1:100

## E. Entrance door vinyl



awaiting staffed hours information  
& phone number

Size 600 x 690mm

Reverse cut clear vinyl with digital print,  
applied to front entrance door

## F. 24/7 Opening vinyl hanger



Size 594 x 431 mm

24/7 Hanger Vinyl  
Reverse cut digital vinyl

## G. Entrance plaque vinyl



AF digital vinyl logo printed onto  
white vinyl for entrance plaque



## H. Existing billboard - new panel



Size: 1220 x 1830mm  
Di-bond panel with digital print  
applied to face.



# G. Window Frosting



Crystal frosting with running man cut out through middle  
Size: 62,000 mm

